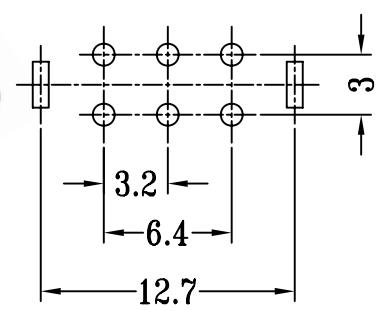
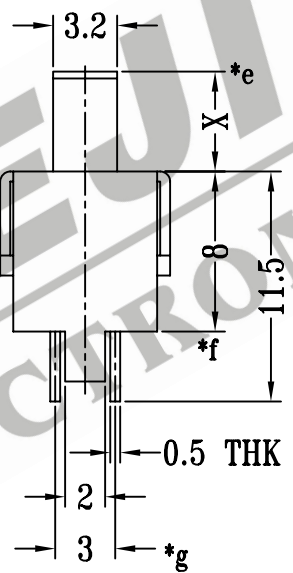
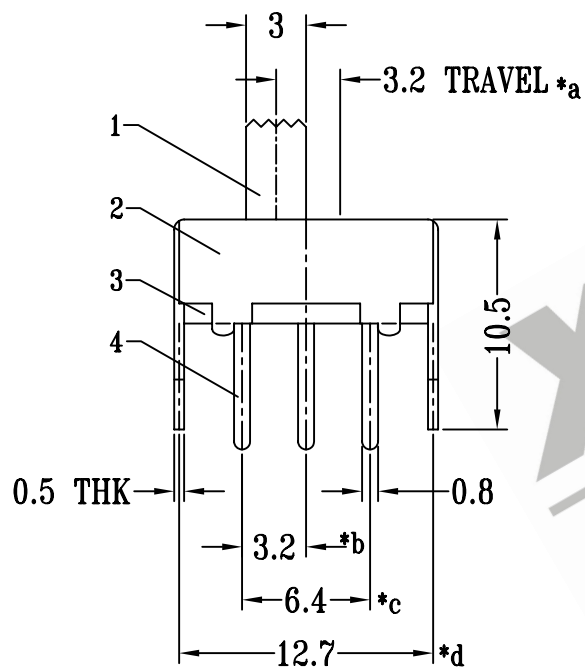
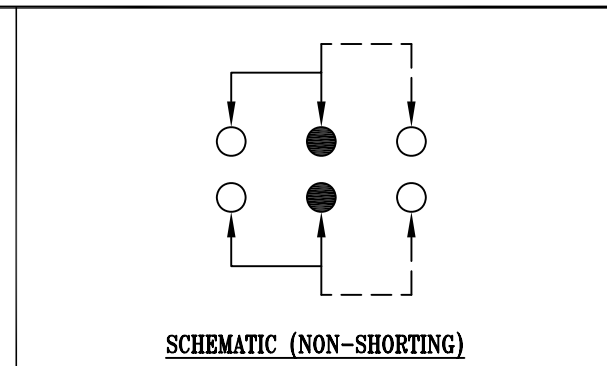
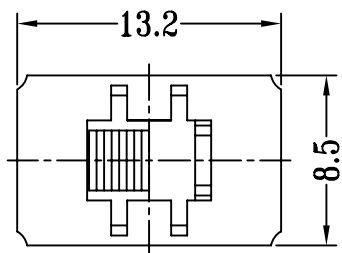


CAD FILE:



注:带“*”表示关键尺寸(7个)

8					TOLERANCE UNLESS SPECIFIED	SHENZHEN XIEJIA ELECTRONICS CO.,LTD.				
7										
6	CONTACT CLIP	COPPER STRIP	2	Ag PLATED	WITHIN: 1.5±0.1mm OVER : 1.5±0.2mm	ISSUE	DATE	DESCRIPTIONS		APPD.
5	SPRING	STEEL WIRE	2	TEMPER						
4	TERMINAL	BRASS STRIP	6	Ag PLATED OVER Ni PLATED	TITLE : VERTICAL SLIDE SWITCH	UNIT : MM	DRWG NO.: XJ-DR-SS22F44-00			
3	BASE	PHENOLIC RESIN	1	NATURAL						
2	FRAME	STEEL STRIP	1	Ni PLATED	MODEL: SS-22F44	SCALE: 5:2	DWN.	ZHOUYU	2005-7-29	
1	KNOB	POM	1	BLACK			CHK'D	FANGYING	2005-7-29	
NO.	PART NAME	MATERIAL	Q'TY	FINISHING	ALL MATERIALS MUST BE COMPLIANT TO ROHS		APPD.	KANGXINAN	2005-7-29	